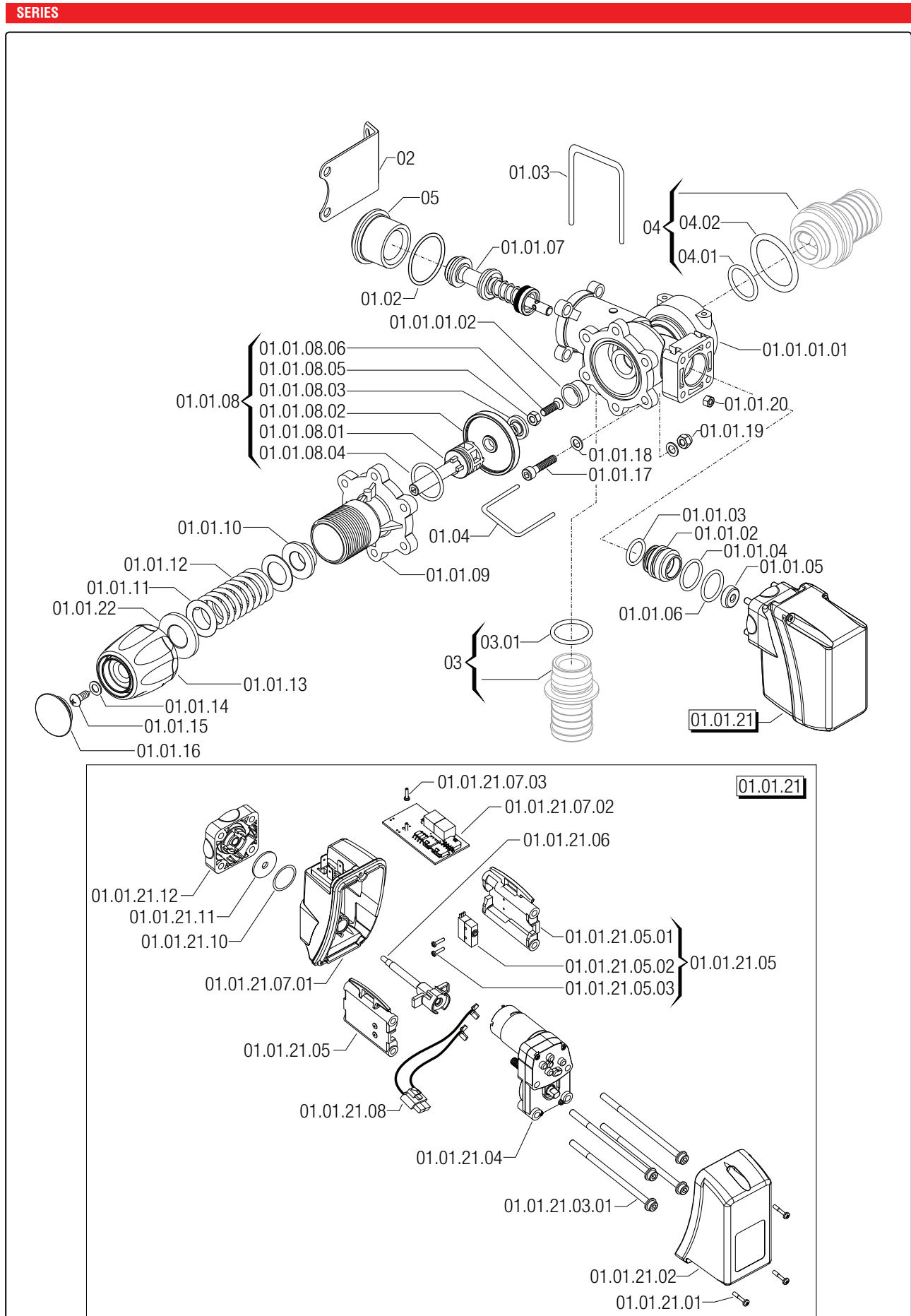


**CODE**  
8710501  
8710502  
8710503



# VALVOLE DI COMANDO GENERALE

## MAIN CONTROL VALVES

**B** | **10**  
SECTION | TABLE

SERIES						CODE
Rif.	Code	Note	Rif.	Code	Note	
01.01.01.01	471502.010			471202.140	Ø 25mm, venturi Ø 12mm	8710501
01.01.01.02	471202.012			471202.143	Ø 32mm, venturi Ø 16mm	8710502
01.01.02	471202.011			471202.145	Ø 35mm, venturi Ø 19mm	8710503
01.01.03	004500.070V	2,62x17,86mm - Viton®		471202.325	Ø 25mm	
01.01.04	465005.140V	2,62x22,22mm - Viton®		471202.330	Ø 30mm	
01.01.05	465900.180			471202.332	Ø 32mm	
01.01.06	465900.060	1,78x18,77mm - Viton®	04.03	471202.335	Ø 35mm	
01.01.08	471502.180			471202.350	G 1 1/4" M	
01.01.08.01	471502.100			471202.351	G 1 1/4" M, venturi Ø 19mm	
01.01.08.02	465005.090			471202.352	G 1 1/4" M, venturi Ø 16mm	
01.01.08.03	465005.080			471202.425	Curved fitting Ø 25mm	
01.01.08.04	G10041V	2,62x20,24mm - Viton®		471202.430	Curved fitting Ø 30mm	
01.01.08.05	B10241		05	471202.029		
01.01.08.06	V1F24H					
01.01.09	471503.110	30 bar / 435 PSI				
	471502.110	10 / 20 bar - 145 / 290 PSI				
01.01.10	471502.130					
01.01.11	471502.135					
	471501.120	10 bar / 145 PSI				
01.01.12	471503.120	30 bar / 435 PSI				
	471502.120	20 bar / 290 PSI				
	471501.170	Nero / Black				
01.01.13	471502.170	Verde / Green				
	471503.170	Blu / Blue				
01.01.14	B202F0					
01.01.15	V2B26G					
	4542237.054					
01.01.16	4542237.057	2-4vie/2-4ways - 20bar/290PSI - Verde/Green - Viton®				
	4542237.058					
01.01.17	V1C24K					
01.01.18	B202F0					
01.01.19	B12241					
01.01.20	B10232					
01.01.21	8650900					
01.01.21.01	V6B21F					
01.01.21.02	8650900.030					
01.01.21.03.01	V1Q130					
01.01.21.04	8650900.100					
01.01.21.05	8650900.020					
01.01.21.05.01	8650900.021					
01.01.21.05.02	8650900.025					
01.01.21.05.03	V2B30D					
01.01.21.06	8650900.080					
01.01.21.07.01	8650900.011	Serie 863-873/Series 863-873				
01.01.21.07.02	8650900.015					
01.01.21.07.03	V2B30D					
01.01.21.08	8650900.016					
01.01.21.10	G11019V	1,78x6,07mm - Viton®				
01.01.21.11	4652900.012					
01.01.21.12	4652900.060					
01.01.22	471503.125	30 bar				
01.02	G10071V	2,62x39,34mm - Viton®				
01.03	010005	T5				
01.04	010003	T3				
02	463911.100					
	473001.A19	Ø 19mm				
	473001.A25	Ø 19mm				
	473001.A30	Ø 30mm				
	473001.A32	Ø 32mm				
03	473001.B30	G 3/4"				
	473001.B40	G 1"				
	473001.B45N	1"NPT F				
	473001.B50	G 1" 1/4				
	473001.C25	Ø 25mm				
03.01	G11058V	2,62x25,07mm - Viton®				
	471202.A25	Ø 25mm				
	471202.A30	Ø 30mm				
	471202.A32	Ø 32mm				
	471202.A35	Ø 35mm				
	471202.A40	Ø 25mm, venturi Ø 12mm				
	471202.A41	Ø 30mm, venturi Ø 16mm				
04	471202.A43	Ø 32mm, venturi Ø 16mm				
	471202.A45	Ø 35mm, venturi Ø 19mm				
	471202.B50	G 1 1/4" M, venturi Ø 23mm				
	471202.B51	G 1 1/4" M, venturi Ø 19mm				
	471202.B52	G 1 1/4" M, venturi Ø 16mm				
	471202.C25	Curved Fitting Ø 25mm				
	471202.C30	Curved Fitting Ø 30mm				
04.01	G10051V	2,62x26,65mm - Viton®				
04.02	460000.210V					



SPARE PARTS