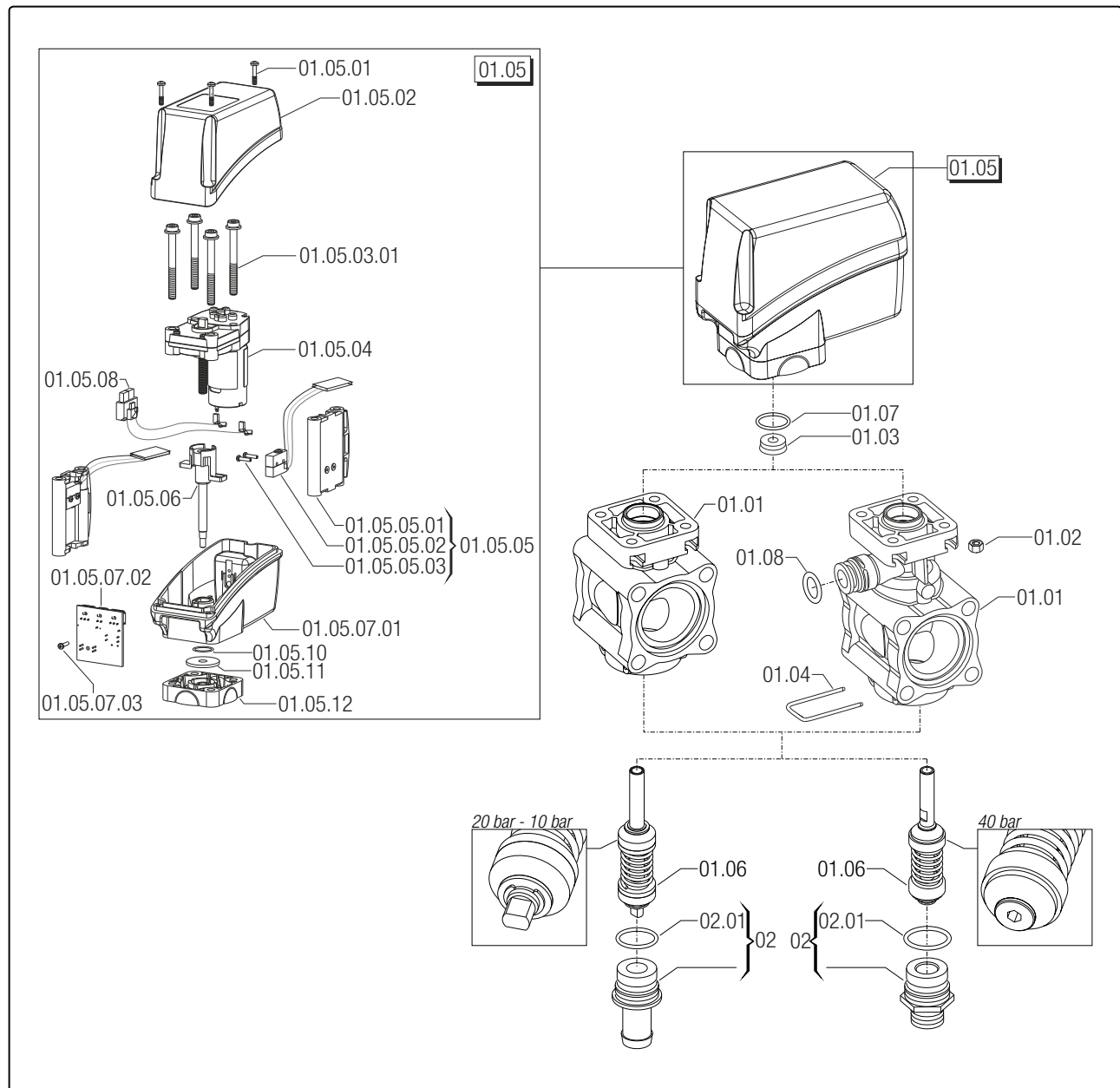


CODE
8630001
8630011
8630011H
8630001H

SERIES



Rif.	Code	Note
01.01	4630001.010	
	4630011.010	
	4630011HS.010	
01.02	B10232	
01.03	465900.180	
01.04	010002	T2
01.05	8650900	
01.05.01	V6B21F	
01.05.02	8650900.030	
01.05.03.01	V1Q130	
01.05.04	8650900.100	
01.05.05	8650900.020	
01.05.05.01	8650900.021	
01.05.05.02	8650900.025	
01.05.05.03	V2B30D	
01.05.06	8650900.080	
01.05.07.01	8650900.011	Serie 863-873/Serie 863-873
01.05.07.02	8650900.015	
01.05.07.03	V2B30D	
01.05.08	8650900.016	
01.05.10	G11019V	1,78x6,07mm - Viton®
01.05.11	4652900.012	
01.05.12	4652900.060	
01.06	463011.550	
	463011HS.550	
	463001HS.550	Senza ritorno calibrato/Without metered bypass - 40bar/580PSI
	463001.550	
01.06.01	463001.030	
	463011.040	

Rif.	Code	Note
01.06.02	463001.050	
	463001.040	
01.06.03	463001.050	
	465910.070V	1,78x6,75mm - Viton®
01.06.04	463001.030	
	B352D0	
01.06.05	B202G0	
	463001.060	
01.06.06	B202G0	
	463001.060	
01.06.07	465910.070V	1,78x6,75mm - Viton®
	B352D0	
01.07	465900.060	1,78x18,77mm - Viton®
01.08	G11056V	2,62x12,37mm - Viton®
	463001.A13	Ø 13mm
	463001.A10	Ø 10mm
	463001.A16	Ø 16mm
	463001.B40M	G 1" BSP
	463001.B70	G 3/4" BSP - Filetto maschio/Male thread
	463001.B75	G 3/4" F
	463001.B75N	F 3/4" NPT
02	463001.A25M	Ø 25mm - int. Ø 14mm
	463001.A19	Ø 19mm
	463001.A19M	
	463001.B40A	
	463001.C10	
	463001.C13	Ø13mm
	463001.B21M	
	463001.B20M	
02.01	465005.140V	2,62x22,22mm - Viton®