

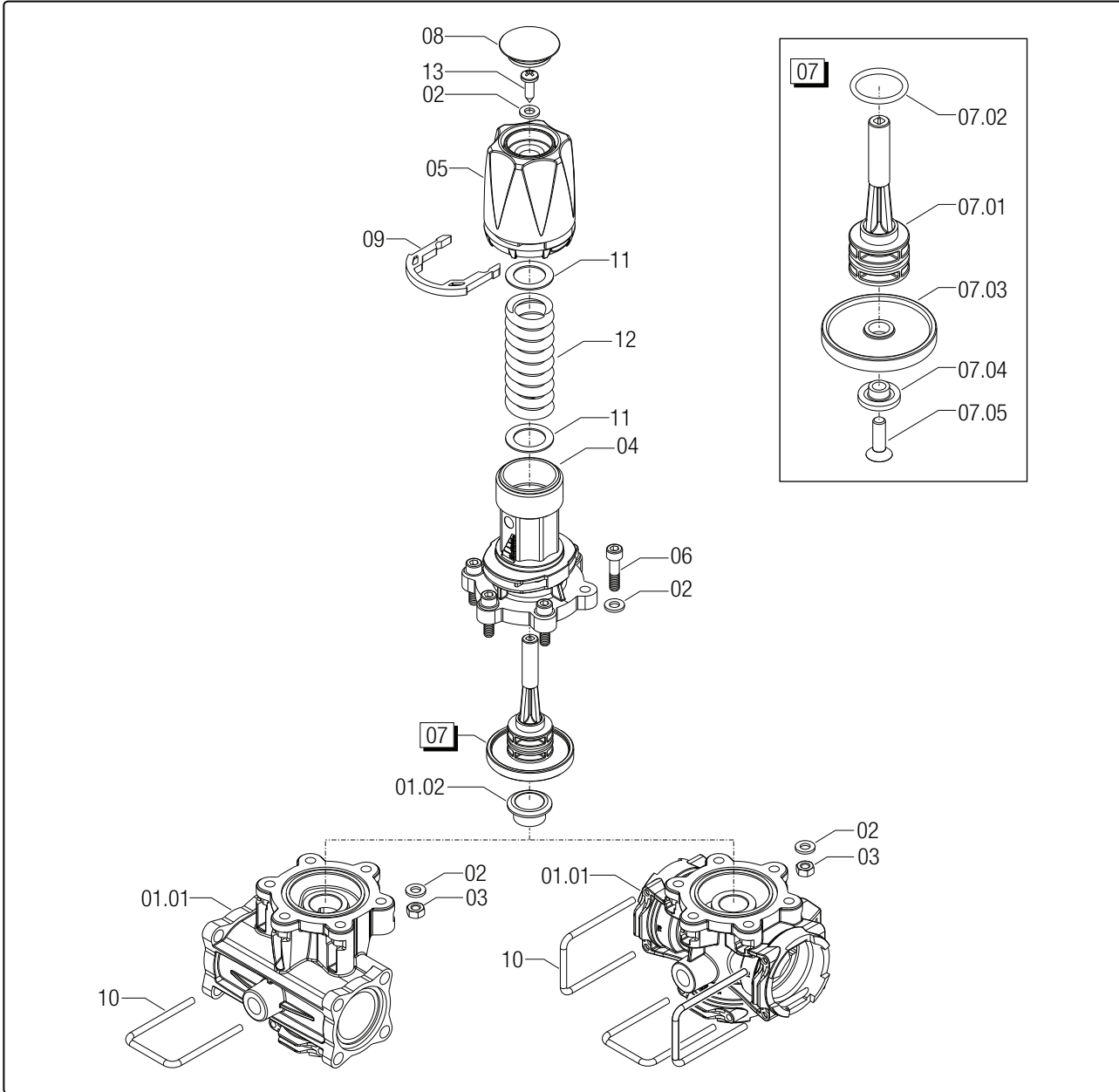
VALVOLE DI REGOLAZIONE MASSIMA PRESSIONE
PRESSURE RELIEF CONTROL VALVES

B 30
 SECTION TABLE

SERIES

CODE

475511
 475512
 475513
 475514
 475551
 475552



Rif.	Code	Note
01.01	475010.010	Flangiato/Flanged T5 873
	475050.010	Forchetta/Fork Coupling T5
01.02	465005.012	Forchetta/Fork Coupling T5
	475010.011	Flangiato/Flanged T5 873
02	B202F0	
03	B10241	
04	475500.020	
05	475500.030	
06	V1C24K	
07	465005.180	
07.01	465005.100	
07.02	465005.140	2,62x22,22mm - EPDM
07.03	465005.090	
07.04	465005.080	
07.05	V1F24I	
	4542237.054	
08	4542237.057	2-4vie/2-4ways - 20bar/290PSI - Verde/Green
	4542237.059	- Viton®
	4542237.058	
09	475500.040	
10	010005	T5
11	471502.135	
	465002.120	Forchetta/Fork Coupling T5 - 20 bar/290 PSI
	465001.120	Forchetta/Fork Coupling T5 - 10 bar/145 PSI
12	465004.120	Flangiato/Flanged T5 873 - 40 bar/580 PSI
	465003.120	30 bar / 435 PSI
13	V2B26G	

ARAG
 SPARE PARTS